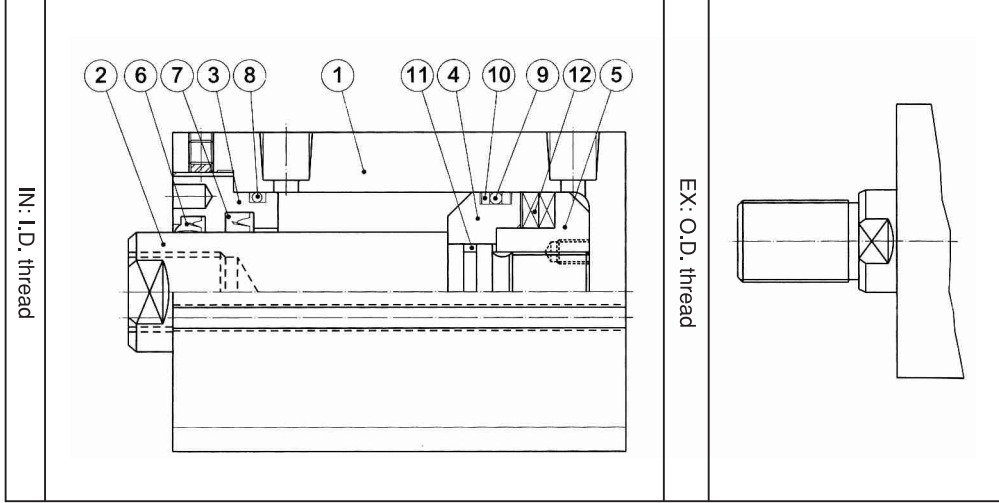


# MANYETİK KOMPAKT HİDROLİK SİLİNDİRLER

## INDUCTIVE COMPACT CYLINDERS



### YAPISI VE PARÇA ÖZELLİKLERİ / STRUCTURES AND PART NAMES

| No İtem | Parça adı / Part name       | Adet q'ty | No İtem | Parça adı / Part name                     | Adet q'ty |
|---------|-----------------------------|-----------|---------|---|-----------|
| ①       | Boru / Tube                 | 1         | ⑦       | Boğaz keçesi / Rod packing                | 1         |
| ②       | Piston mili / Piston rod    | 1         | ⑧       | Mil yataklaması o-ring / Rod cover o ring | 1         |
| ③       | Mil yataklaması / Rod cover | 1         | ⑨       | Piston o-ring / Piston o-ring             | 1         |
| ④       | Boru / Tube                 | 1         | ⑩       | Sızdırmazlık elemanı / back-up ring       | 2         |
| ⑤       | Piston / Piston             | 1         | ⑪       | Cushion o-ring / Yastıklama o-ring        | 1         |
| ⑥       | Keçe / Dust seal            | 1         | ⑫       | Magnet / Miknatis                         | 2         |

### KEÇE ÖZELLİKLERİ / SEAL SPEC.

| No.-İtem  | ⑥                         | ⑦                                 | ⑧  | ⑨                                      | ⑩   | ⑪  |
|-----------|---------------------------|-----------------------------------|--|--|---|--|
| İsim Name | Keçe<br>Dust seal<br>(PU) | Mil keçesi<br>Rod packing<br>(PU) | Mil yataklaması<br>rod cover<br>o-ring<br>(IA) | Piston -ringi<br>Piston o-ring<br>(IB) | Sızdırmazlık<br>elemanı<br>Piston back-up<br>o-ring<br>(PTFE) | Yastıklama<br>o-ring<br>Cushion o-ring<br>(IA) |
| Boru Bore | 1                         | 1                                 | 1  | 1                                      | 2   | 1  |
| 32        | DH20                      | UHS20                             | G25  | P26                                    | P26   | P12  |
| 40        | DH25                      | UHS25                             | G35  | P34                                    | P34   | P16  |
| 50        | DH30                      | UHS30                             | G45  | P44                                    | P44   | P20  |
| 63        | DH35                      | UHS35                             | G55  | P53                                    | P53   | G25  |
| 80        | DH40                      | UHS40                             | G75  | P70                                    | P70   | G30  |
| 100       | DH56                      | UHS56                             | G95  | P90                                    | P90   | G40  |

## SİPARİŞ FORMU / ORDER FORM

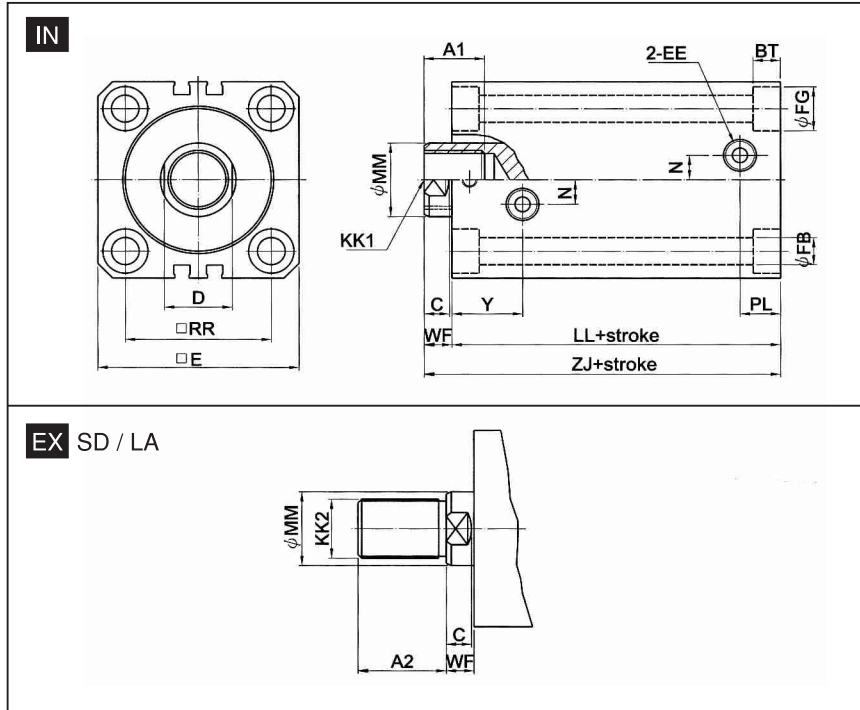
MG-CXHC A — J — IN — SD — 50 X 30 — 25mm — T X n — 1 — 02 — A

1 2 3 4 5 6 7 8 9 10 11

| MG-CXHC: Manyetik Kompakt Hidrolik Silindirler<br>Inductive Compact Cylinders |                                    |  |
|---|------------------------------------|--|
| 1   | Tip / Type                         | (1) A: Çift etkili / Double acting<br>(2) B: Çift milli / Double rods<br>(3) D: Double rods and with stroke alignment                                  |
| 2   | Opsiyon<br>Options                 | J: Isı / aşınmaya dayanıklı (gerekmiyorsa "boşluk" kullanılır)<br>J: With heat / erosion proof (note: "space" if not be used)                          |
| 3   | Mil dişi<br>Rod thread             | (1) IN: I.D. iç dişli / thread<br>(2) EX: O.D. dış dişli / thread  |
| 4   | Kurulum<br>Installations           | (1) SD: temel / basic<br>(2) La: ayak tipi / foot type   |
| 5   | Boru(mm)<br>Bore(mm)               | (1) SD: 32, 40, 50, 63, 80, 100<br>(2) La: 40, 50, 63, 80, 100   |
| 6   | Strok(mm)<br>Stroke(mm)            | Standart strok tablosu yok<br>No "standard stroke" table   |
| 7   | Stroke alligment                   | Only forward alignment and aligned lenght ≤ stroke lenght  |
| 8   | Sensör ve adet<br>Sensor and q'ty  | (1)T: 2 kablolu, 2 metre / 2 wires, 2 meters<br>P: PNP3 kablolu, 2 metre / wires, 2 meters<br>N: NPN3 kablolu, 2 metre / wires, 2 meters<br>(2)n: q'ty |
| 9   | Sızdırmazlık<br>elemanı<br>Packing | (1)1: (PU) (standart kullanım / standard usage)<br>(2)2: (NBR)<br>(3)3: (FPM)  |
| 10  | Debi regülatörü<br>Flow regulator  | (1)02: 1/4" (12 l/min)<br>(2)03: 3/8" (20 l/min)<br>(3)04: (FPM) (30 l/min)  |
| 11  | Çekvalf<br>Check valve             | (1)A: 3/8" (50 l/min)<br>(2)B: 3/4" (125 l/min)<br>(3)C: 1 1/2" (320 l/min)  |

## MG-CXHC-A-SD: ÇİFT ETKİLİ STANDART TİP / DOUBLE ACTING, BASIC

### DIŞ ÖLÇÜLER / EXTERNAL DIMENSIONS

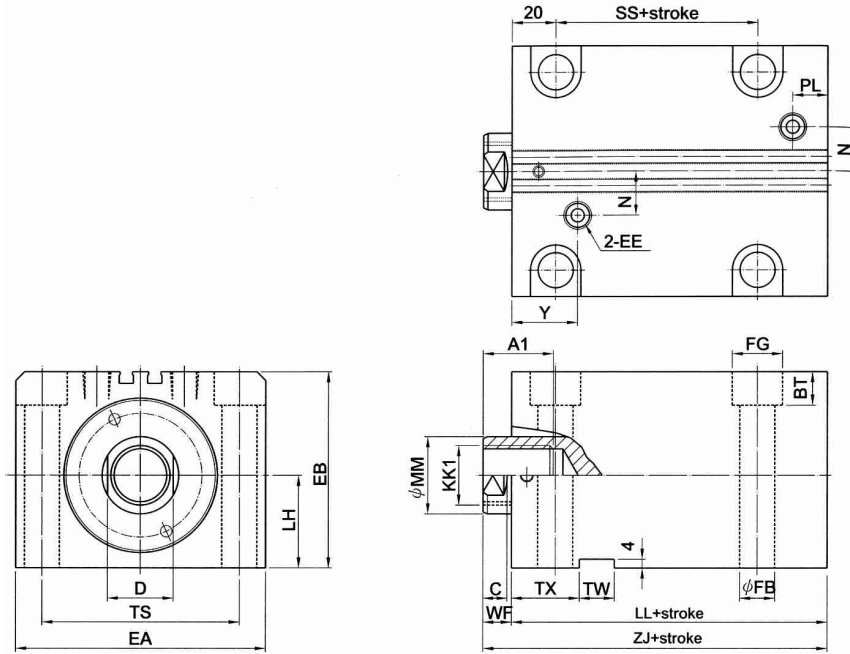


| Sembol<br>Symbol<br>Boru<br>Bore | I.D.thread |            | O.D.thread |           | BT   | C  | D  | E   | EE    | FB | FG   | LL  | LL1 | MM | N  | PL | RR  | WF | Y  | ZJ  | ZJ1 |
|----------------------------------|------------|------------|------------|-----------|------|----|----|-----|-------|----|------|-----|-----|----|----|----|-----|----|----|-----|-----|
|                                  | A1         | KK1        | A2         | KK2       |      |    |    |     |       |    |      |     |     |    |    |    |     |    |    |     |     |
| 32                               | 15         | M12 x 1.75 | 25         | M16 x 1.5 | 6.5  | 9  | 17 | 62  | Rc1/4 | 7  | 11   | 73  | 84  | 20 | 10 | 17 | 47  | 10 | 27 | 83  | 94  |
| 40                               | 20         | M16 x 2.0  | 30         | M20 x 1.5 | 8.6  | 9  | 21 | 70  | Rc1/4 | 9  | 14   | 70  | 81  | 25 | 10 | 16 | 52  | 10 | 27 | 80  | 91  |
| 50                               | 24         | M20 x 2.5  | 35         | M24 x 1.5 | 10.8 | 9  | 27 | 80  | Rc1/4 | 11 | 17.5 | 75  | 87  | 30 | 10 | 16 | 58  | 11 | 28 | 86  | 98  |
| 63                               | 33         | M27 x 3.0  | 45         | M30 x 1.5 | 13   | 11 | 32 | 94  | Rc1/4 | 14 | 20   | 84  | 94  | 35 | 10 | 18 | 69  | 13 | 30 | 97  | 107 |
| 80                               | 33         | M30 x 3.5  | 55         | M36 x 1.5 | 15.2 | 14 | 37 | 114 | Rc3/8 | 16 | 23   | 95  | 106 | 40 | 15 | 22 | 86  | 17 | 35 | 112 | 123 |
| 100                              | 40         | M36 x 4.0  | 70         | M48 x 1.5 | 17.5 | 14 | 50 | 134 | Rc3/8 | 18 | 26   | 100 | 114 | 56 | 15 | 25 | 102 | 17 | 39 | 117 | 131 |

## MG-CXHC-A-LA : ÇİFT ETKİLİ / DOUBLE ACTING

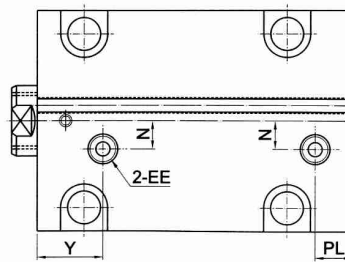
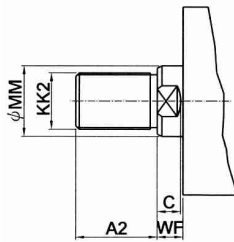
### DIŞ ÖLÇÜLER / EXTERNAL DIMENSIONS

**IN** Boru / Bore : Ø63 ` Ø80 ` Ø100 İki sensör kanalı ile / With two sensor grooves



**EX**

Boru/Bore : Ø40 ` Ø50 Bir sensör kanalı ile / with one sensor groves



| boru | ID. thread |           | A2 | KK2       | BT   | C  | D  | EA  | EB  | EE     | FB | FG | LH | LL  | MM | N  | PL | SS | TS  | TW | TX | WF | Y  | ZJ  |
|------|------------|-----------|----|-----------|------|----|----|-----|-----|--------|----|----|----|-----|----|----|----|----|-----|----|----|----|----|-----|
|      | A1         | KK1       |    |           |      |    |    |     |     |        |    |    |    |     |    |    |    |    |     |    |    |    |    |     |
| 40   | 20         | M16 x 2.0 | 30 | M20 x 1.5 | 10.8 | 9  | 21 | 80  | 64  | Rc 1/4 | 11 | 18 | 29 | 70  | 25 | 10 | 16 | 23 | 62  | 12 | 28 | 10 | 27 | 80  |
| 50   | 24         | M20 x 2.5 | 35 | M24 x 1.5 | 13   | 9  | 27 | 94  | 74  | Rc 1/4 | 14 | 20 | 34 | 75  | 30 | 10 | 16 | 27 | 74  | 14 | 29 | 11 | 28 | 86  |
| 63   | 33         | M27 x 3.0 | 45 | M30 x 1.5 | 15.2 | 11 | 32 | 114 | 89  | Rc 1/4 | 16 | 23 | 42 | 84  | 35 | 20 | 18 | 32 | 90  | 16 | 31 | 13 | 30 | 97  |
| 80   | 33         | M30 x 3.5 | 55 | M36 x 1.5 | 15.2 | 14 | 37 | 134 | 109 | Rc 3/8 | 16 | 23 | 52 | 95  | 40 | 25 | 22 | 41 | 110 | 16 | 34 | 17 | 35 | 112 |
| 100  | 40         | M36 x 4.0 | 70 | M48 x 1.5 | 17   | 14 | 50 | 160 | 129 | Rc 3/8 | 18 | 26 | 62 | 100 | 56 | 25 | 25 | 44 | 134 | 16 | 34 | 17 | 39 | 117 |